



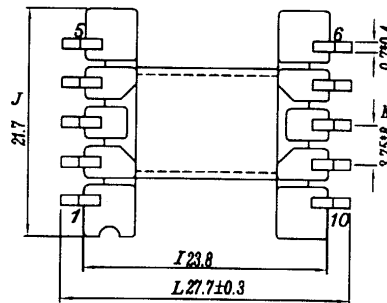
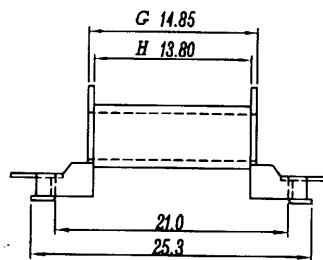
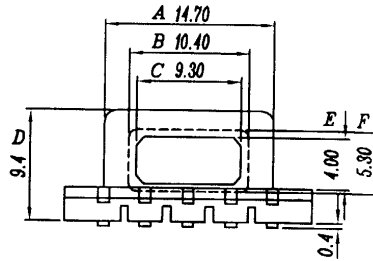
Series4 Data Sheet



Visit us on the WEB www.series4.co.uk

Westwood Court, Calmore Industrial Estate, Totton, Hampshire, SO40 3WX England

Tel: +44 (0)23 80 866377 Fax: +44 (0)23 80 866323 Email: paul.m@series4.co.uk



BOBBIN NAME: EFD-20

Series 4 Part No: BCEFD20-1-10-JPIN

OLD REF: S048

SPECIFICATION: 1 SECTION 10 PIN J TYPE SMD

BOBBIN MATERIAL: L.C.P. N46

PIN MATERIAL: CP WIRE (TIN PLATED)

UL RATING: 94V-0

UNIT: MM

TOLERANCE: .X XX +/- 0.08

.XX +/- 0.1

.X +/- 0.2