

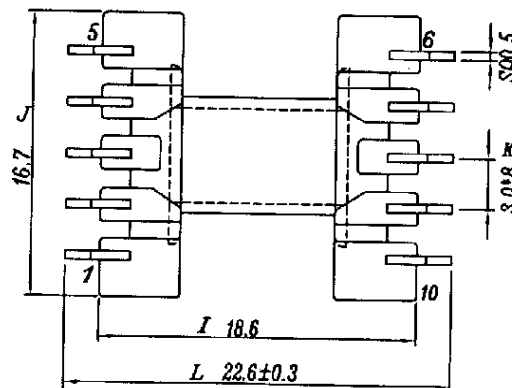
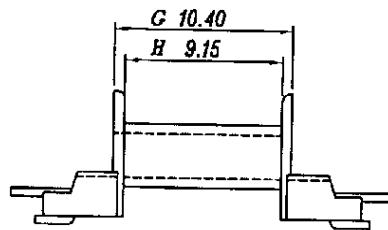
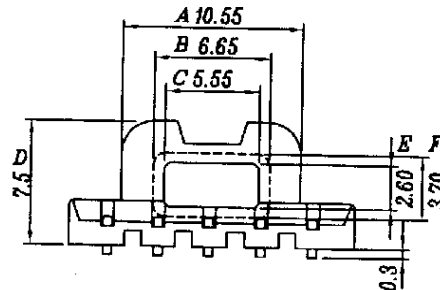


Series4 Data Sheet



Visit us on the WEB www.series4.co.uk

Westwood Court, Calmore Industrial Estate, Totton, Hampshire, SO40 3WX England
Tel: +44 (0)23 80 866377 Fax: +44 (0)23 80 866323 Email: paul.m@series4.co.uk



BOBBIN NAME: EFD-15

Series 4 Part No: BCEFD15-1-10-JPIN

OLD REF: S039

SPECIFICATION: 1 SECTION 10 PINS J TYPE SMD

BOBBIN MATERIAL: N46

PIN MATERIAL: CP WIRE (TIN PLATED)

UL RATING: 94V-0

TOLERANCE: .XXX +/- 0.08

.XX +/- 0.1

.X +/- 0.2 UNIT: MM