



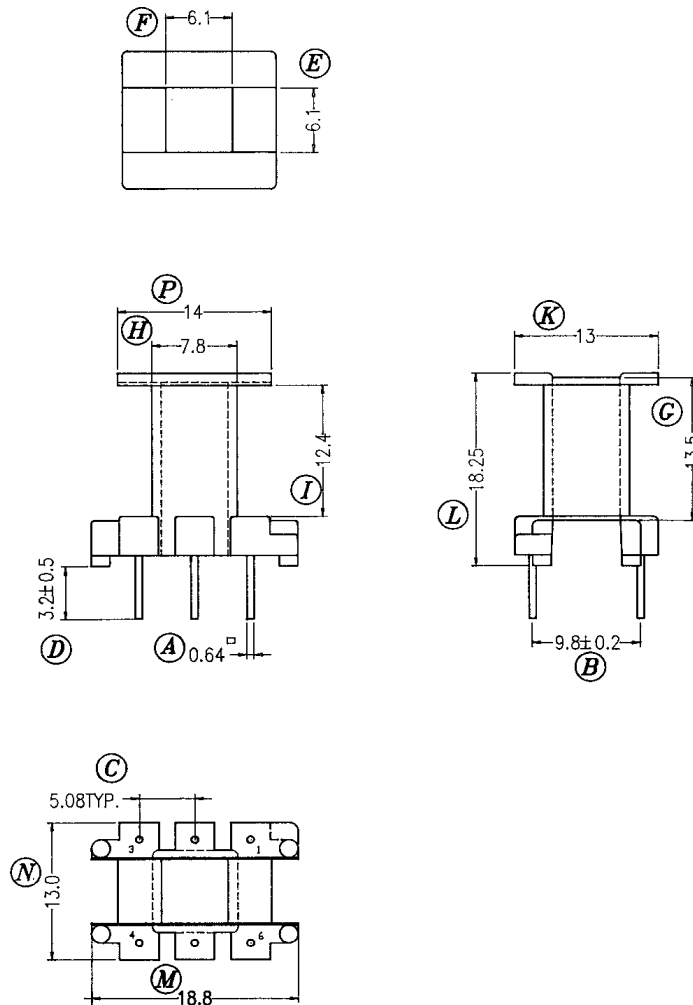
# Series4 Data Sheet



Visit us on the WEB [www.series4.co.uk](http://www.series4.co.uk)

Westwood Court, Calmore Industrial Estate, Totton, Hampshire, SO40 3WX England

Tel: +44 (0)23 80 866377 Fax: +44 (0)23 80 866323 Email: [paul.m@series4.co.uk](mailto:paul.m@series4.co.uk)



**BOBBIN NAME: EF20**

**Series 4 Part No: BCEF20-V-1-6**

**OLD REF: S174**

**SPECIFICATION: 1 SECTION 6 PIN VERTICAL WITH STANDOFF**

**BOBBIN MATERIAL: PET (FR530)**

**PIN MATERIAL: CP WIRE**

**UL RATING: 94V-0**

**TOLERANCE:**

**.X XX +/- 0.05**

**.XX +/- 0.1**

**.X +/- 0.2**

**UNIT: MM**