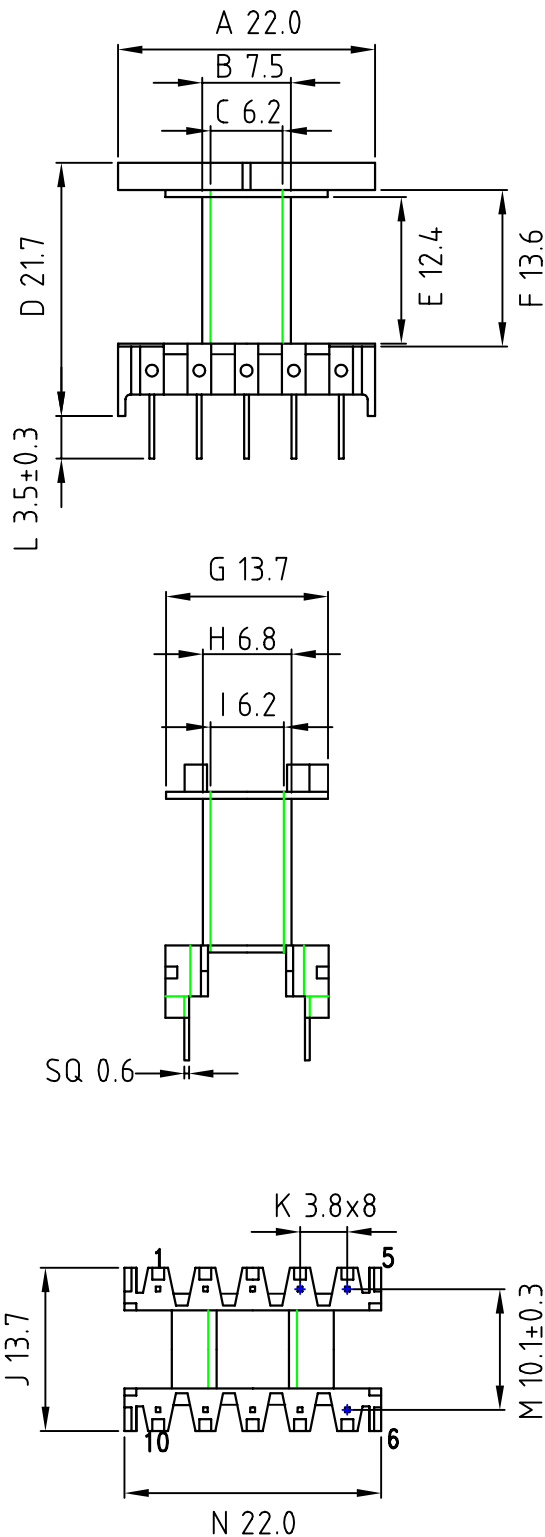
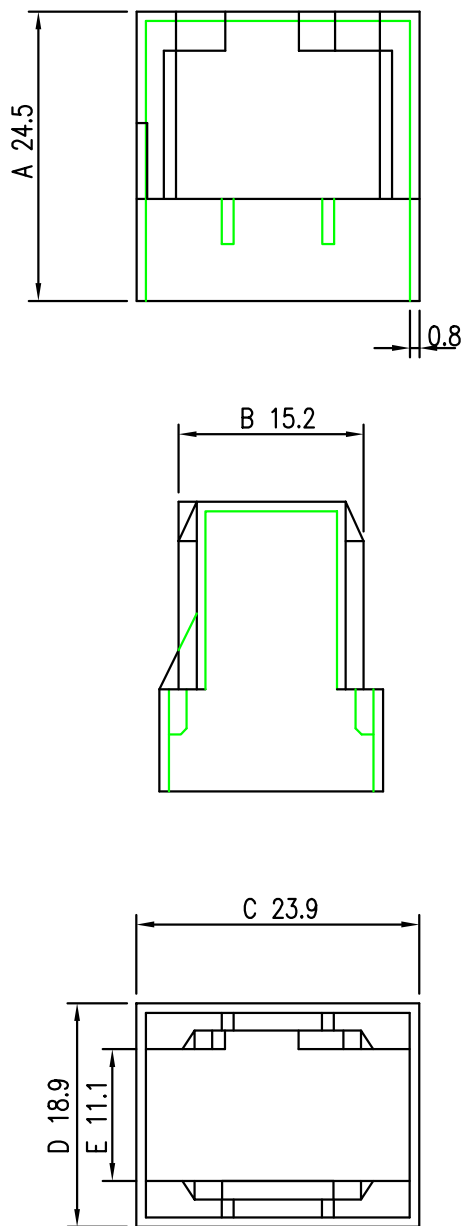




TPI NO.: 2002004



TPI NO.: 2002005



DATE	REVISED STORY	MODEL : EF20-10PIN (TPI NO.:2002004) EF20-10PIN-CAP (TPI NO.:2002005)		
6/01'02	RELEASED THE NEW DRAWING SPEC.	BOBBIN MATERIAL : 2002004 PET/GF UL94V-0 2002005 PBT/GF UL94V-0		
		PIN MATERIAL : CP WIRE (TIN PLATED)		
		DATE : June 01,2002	REV.: A	TOLERANCE : .XXX±0.08 .XX ±0.1 .X ±0.2