



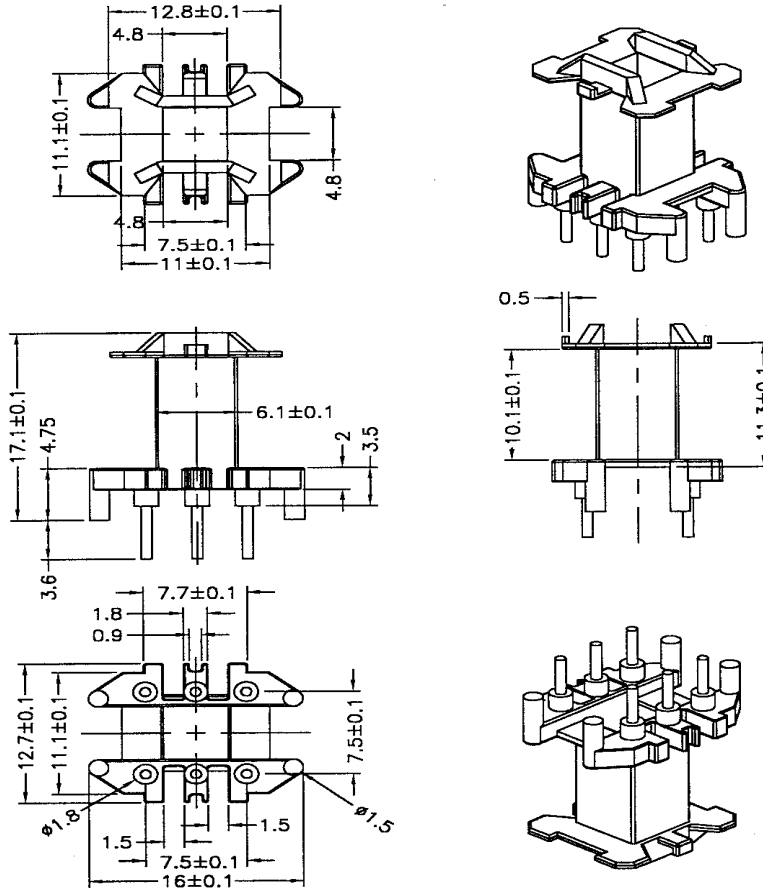
Series4 Data Sheet



Visit us on the WEB www.series4.co.uk

Westwood Court, Calmore Industrial Estate, Totton, Hampshire, SO40 3WX England

Tel: +44 (0)23 80 866377 Fax: +44 (0)23 80 866323 Email: paul.m@series4.co.uk



BOBBIN NAME: EF-16

Series 4 Part No: BCEF16-V-1-6

OLD REF: S168

SPECIFICATION: 1 SECTION 6 PIN

MODEL	BOBBIN MATERIAL	BOBBIN PLATING	PIN DIMENSIONS.	PIN DIMENSIONS.
S168A	PA6TC230BK		CP WIRE	Ø0.8
S168B	PA6TC230BK		Sn/Pb	Ø0.8
S168C	PA6TC230BK		CP WIRE	SQ0.55
S168D	PA6TC230BK		Sn/Pb	SQ0.55

TOLERANCE:

.X +/- .1

.XX +/- 0.05

UL RATING: 94V-0

UNIT: MM