



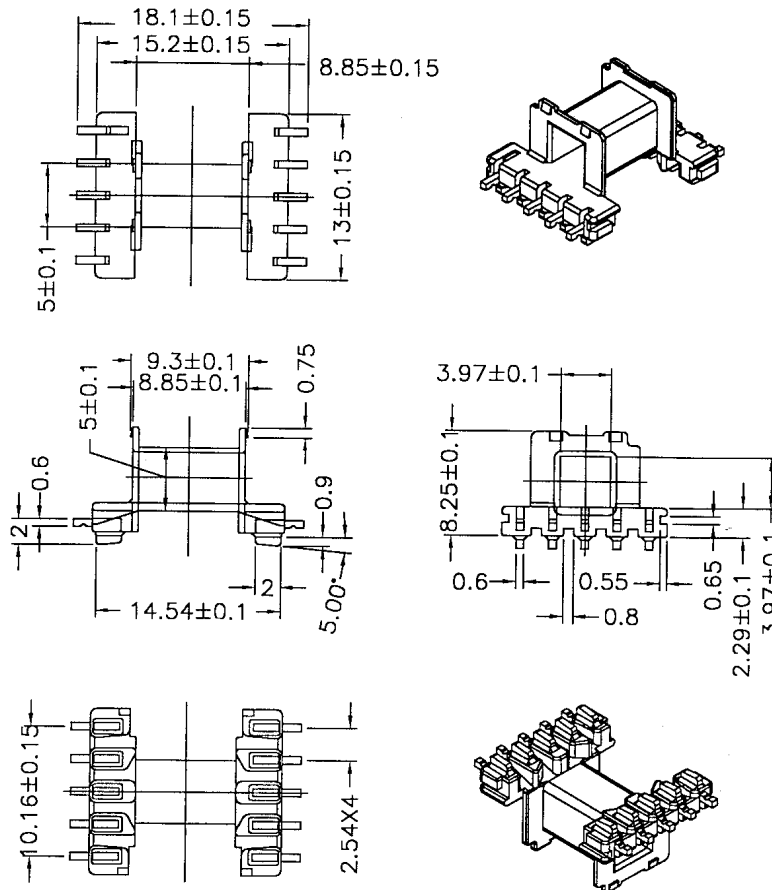
Series4 Data Sheet



Visit us on the WEB www.series4.co.uk

Westwood Court, Calmore Industrial Estate, Totton, Hampshire, SO40 3WX England

Tel: +44 (0)23 80 866377 Fax: +44 (0)23 80 866323 Email: paul.m@series4.co.uk



BOBBIN NAME: EF-12.6

Series 4 Part No: BCEF126-H-1-10GW OLD REF: S164

SPECIFICATION: 1 SECTION 10 PIN P-TYPE SMD ALL PHOSPHOR BRONZE PINS

MODEL	BOBBIN MATERIAL	PIN PLATING
S164A	PM9630	Au
S164B	PM9630	Sn/Pb
S164C	AM113	Au
S164D	AM113	Sn/Pb

**TOLERANCE: .X +/- 0.1
.XX +/- 0.05**

UL RATING: 94V-0

TOLERANCE: +/- 0.01MM

UNIT: MM