



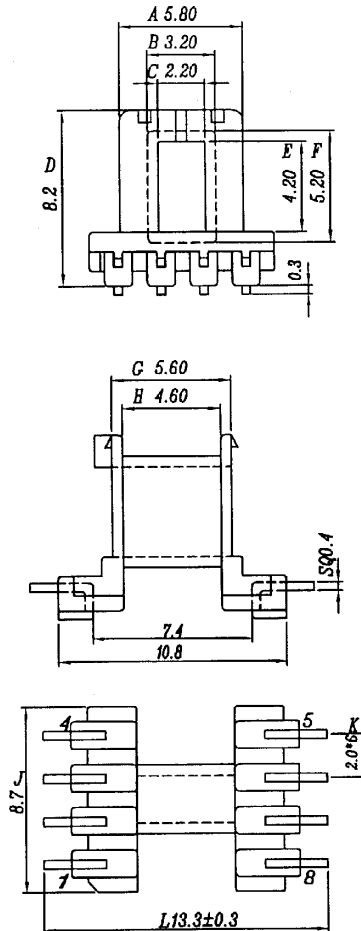
Series4 Data Sheet



Visit us on the WEB www.series4.co.uk

Westwood Court, Calmore Industrial Estate, Totton, Hampshire, SO40 3WX England

Tel: +44 (0)23 80 866377 Fax: +44 (0)23 80 866323 Email: paul.m@series4.co.uk



BOBBIN NAME: EE8.3

Series 4 Part No: BCEE8.3-H-1-8JPN

OLD REF: S101

SPECIFICATION: 1 SECTION 8 PINS J TYPE SMD

BOBBIN MATERIAL: N46

PIN MATERIAL: CP WIRE (TIN PLATED)

UL RATING: 94V-0

TOLERANCE: .X XX +/- 0.08

.XX +/- 0.1

.X +/- 0.02

UNIT: MM