



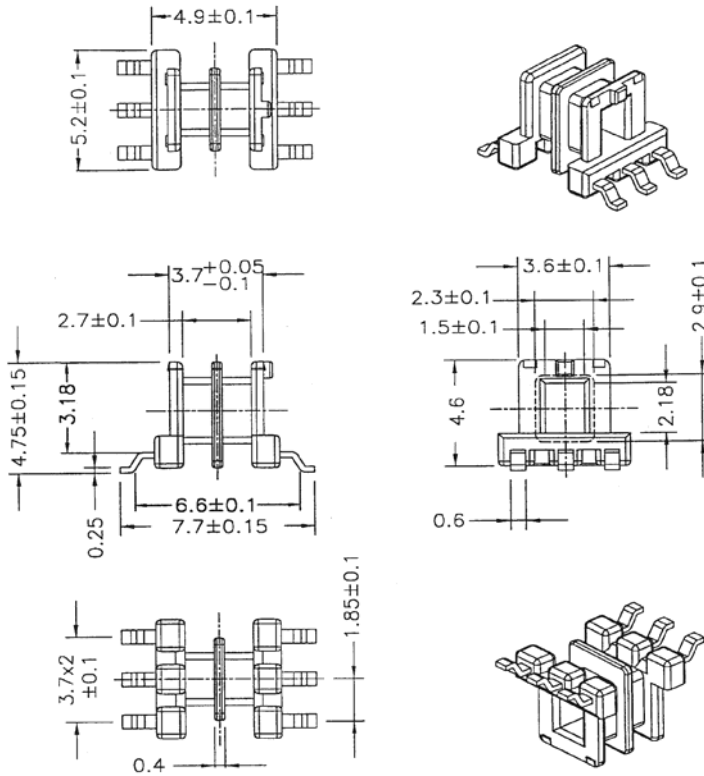
Series4 Data Sheet



Visit us on the WEB www.series4.co.uk

Westwood Court, Calmore Industrial Estate, Totton, Hampshire, SO40 3WX England

Tel: +44 (0)23 80 866377 Fax: +44 (0)23 80 866323 Email: paul.m@series4.co.uk



BOBBIN NAME: EE5.0

Series 4 Part No: BCEE5.0-H-2-6GW

OLD REF: S093

SPECIFICATION: 2 SECTION 6 PIN GULLWING TYPE SMD

MODEL	BOBBIN MATERIAL	PIN PLATING
S093A	PM9630	Au
S093B	PM9630	Sn/Pb
S093C	AM113	Au
S093D	AM113	Sn/Pb

TOLERANCE:

.X +/- 0.1

.XX +/- 0.05

UL: 94V-0

UNIT: MM