

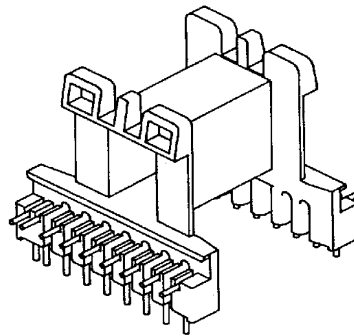
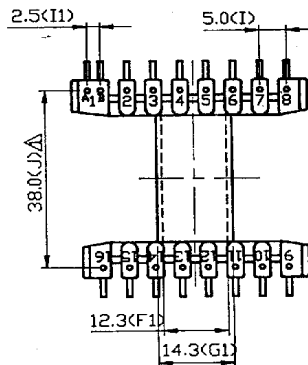
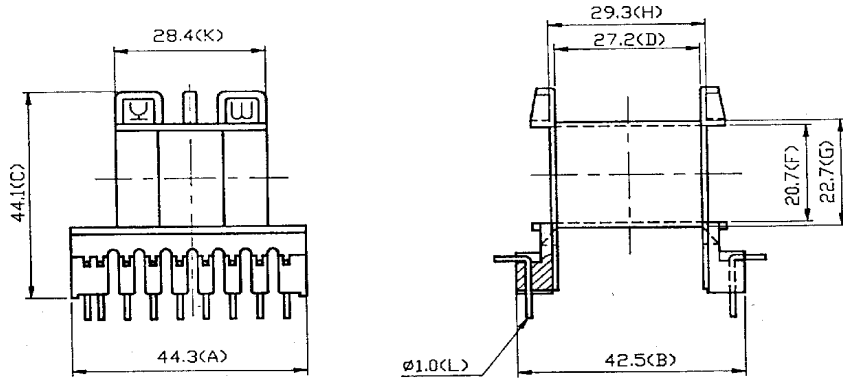


Series4 Data Sheet



Visit us on the WEB www.series4.co.uk

Westwood Court, Calmore Industrial Estate, Totton, Hampshire, SO40 3WX England
Tel: +44 (0)23 80 866377 Fax: +44 (0)23 80 866323 Email: paul.m@series4.co.uk



BOBBIN NAME: EE42X20

Series 4 Part No: BCEE42X20-H-1-16

OLD REF: S146

SPECIFICATION: 1 SECTION 16 PIN HORIZONTAL

BOBBIN MATERIAL: PBT

PIN MATERIAL: CP WIRE

UL RATING: 94V-0

UNIT: MM

TOLERANCE:

WHOLE: +/- 0.5 DECIMAL: .X+/-0.3
PIN PITCH: +/-0.1 .XX+/-0.2
ROW PITCH: +/- 0.5