

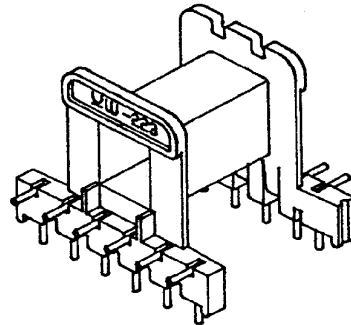
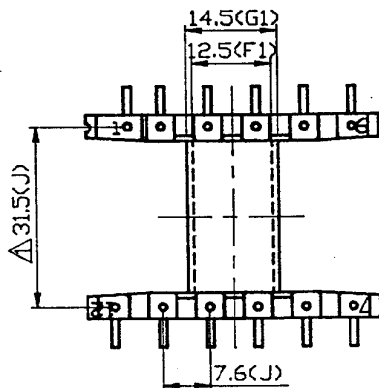
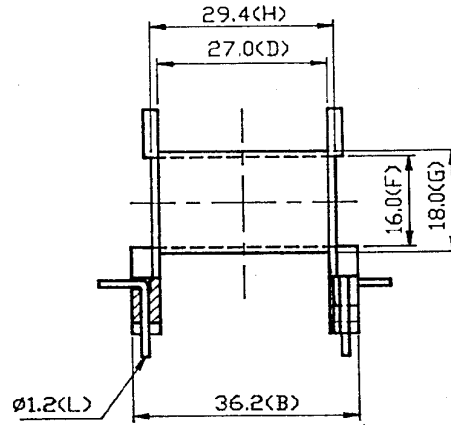
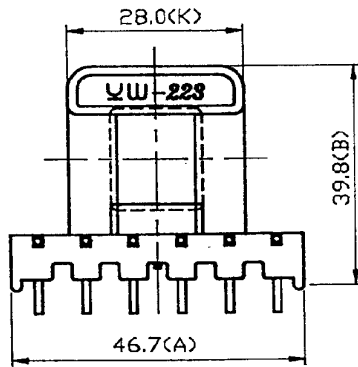


# Series4 Data Sheet



Visit us on the WEB [www.series4.co.uk](http://www.series4.co.uk)

Westwood Court, Calmore Industrial Estate, Totton, Hampshire, SO40 3WX England  
Tel: +44 (0)23 80 866377 Fax: +44 (0)23 80 866323 Email: paul.m@series4.co.uk



**BOBBIN NAME: EE42X15**

**Series 4 Part No: BCCE42X15-H-1-12**

**OLD REF: S144**

**SPECIFICATION: 1 SECTION 12 PIN HORIZONTAL**

**BOBBIN MATERIAL: PBT**

**PIN MATERIAL: CP WIRE**

**UL RATING: 94V-0**

**UNIT: MM**

**TOLERANCE:**

**WHOLE: +/- 0.5 DECIMAL: .X+/-0.3**

**PIN PITCH: +/-0.1 .XX+/-0.2**

**ROW PITCH: +/- 0.5**