



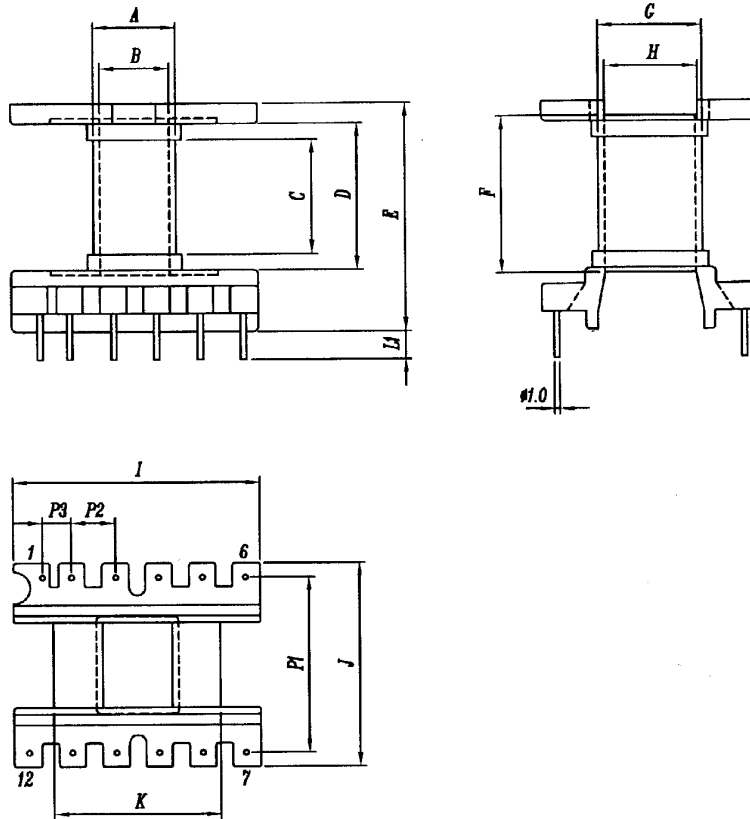
Series4 Data Sheet



Visit us on the WEB www.series4.co.uk

Westwood Court, Calmore Industrial Estate, Totton, Hampshire, SO40 3WX England

Tel: +44 (0)23 80 866377 Fax: +44 (0)23 80 866323 Email: paul.m@series4.co.uk



UNIT : mm

MODEL	A	B	C	D	E	F	G	H	I	J	K	L1	P1	P2	P3
EE-40-12-12PIN	15.0	12.9	11.5	18.5	31.0	20.2	15.0	12.9	36.0	30.7	25.5	3.3	25.1	5.0	5.0
EE-42-15-12PIN	14.4	12.3	21.3	27.2	42.8	29.4	18.1	15.9	43.4	38.3	29.2	4.0	32.9	7.6	5.0

BOBBIN NAME: EE40-12

Series 4 Part No: BCEE40-12-V-1-12

OLD REF: S142

SPECIFICATION: 1 SECTION 12 PIN VERTICAL

BOBBIN MATERIAL: PHENOLIC RESIN

PIN MATERIAL: CP WIRE TIN PLATED

UL RATING: 94V-0

UNIT: MM

TOLERANCE:

.X XX +/- 0.08

.XX +/- 0.1

.X +/- 0.2