



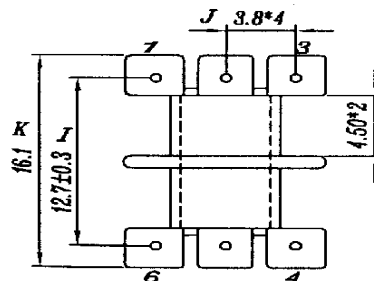
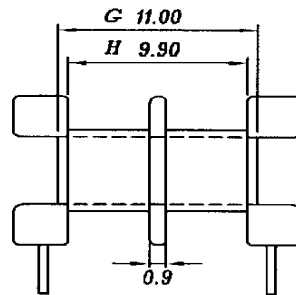
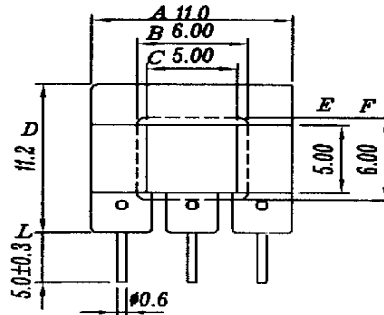
# Series4 Data Sheet



Visit us on the WEB [www.series4.co.uk](http://www.series4.co.uk)

Westwood Court, Calmore Industrial Estate, Totton, Hampshire, SO40 3WX England

Tel: +44 (0)23 80 866377 Fax: +44 (0)23 80 866323 Email: paul.m@series4.co.uk



**BOBBIN NAME: EE-16**

**Series 4 Part No: BCEE16-H-2-6-5.0**

**OLD REF: S128**

**SPECIFICATION: 2 SECTION 6 PIN (LENGTH 5.0)**

**BOBBIN MATERIAL: N-46 RESIN**

**PIN MATERIAL: CP WIRE (TIN PLATED)**

**UL RATING: 94V-0**

**TOLERANCE:**

**.X XX +/- 0.08**

**.XX +/- 0.1**

**.X +/- 0.2**

**UNIT: MM**