

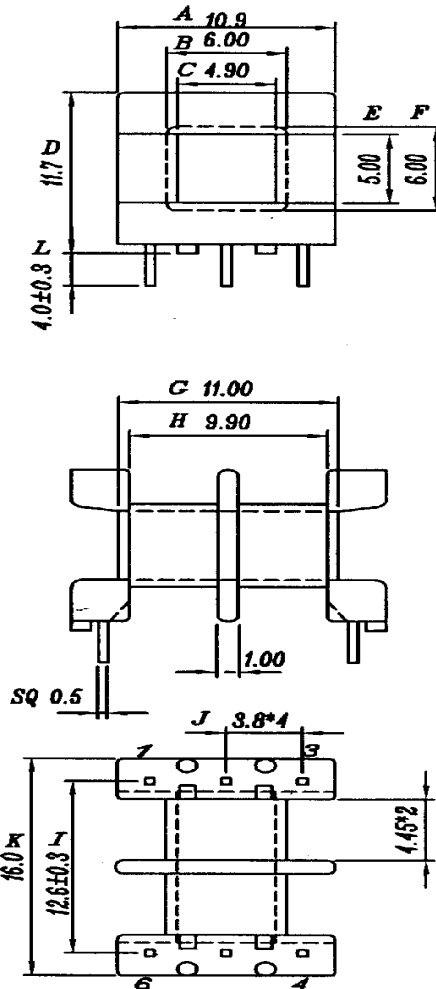


Series4 Data Sheet



Visit us on the WEB www.series4.co.uk

Westwood Court, Calmore Industrial Estate, Totton, Hampshire, SO40 3WX England
Tel: +44 (0)23 80 866377 Fax: +44 (0)23 80 866323 Email: paul.m@series4.co.uk



BOBBIN NAME: EE-16

Series 4 Part No: BCEE16-H-2-6-4.0 OLD REF: S126

SPECIFICATION: 2 SECTION 6 PIN (LENGTH 4.0)

BOBBIN MATERIAL: PHENOLIC RESIN

PIN MATERIAL: CP WIRE (TIN PLATED)

UL RATING: 94V-0

TOLERANCE:

.X XX +/- 0.08

.XX +/- 0.1

.X +/- 0.2

UNIT: MM