

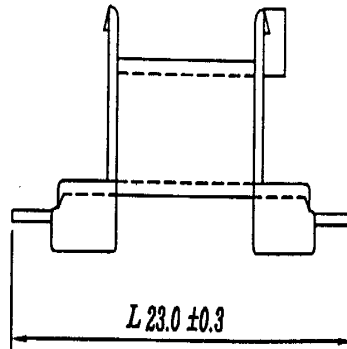


Series4 Data Sheet



Visit us on the WEB www.series4.co.uk

Westwood Court, Calmore Industrial Estate, Totton, Hampshire, SO40 3WX England
Tel: +44 (0)23 80 866377 Fax: +44 (0)23 80 866323 Email: paul.m@series4.co.uk



SEE SERIES 4 Pt No: BCEE12.6-H-1-10GW, OLD REF:S114, FOR OTHER DIMENSIONS

BOBBIN NAME: EE12.6

Series 4 Part No: BCEE12.6-H-1-10F

OLD REF: S115

SPECIFICATION: 1 SECTION 10 PIN FLAT TYPE SMD

BOBBIN MATERIAL: LCP

PIN MATERIAL: PHOSPHOR BRONZE TIN/SILVER PLATED

UL RATING: 94V-0

TOLERANCE:

.X XX +/- 0.08

.XX +/- 0.1

.X +/- 0.2

UNIT: MM