



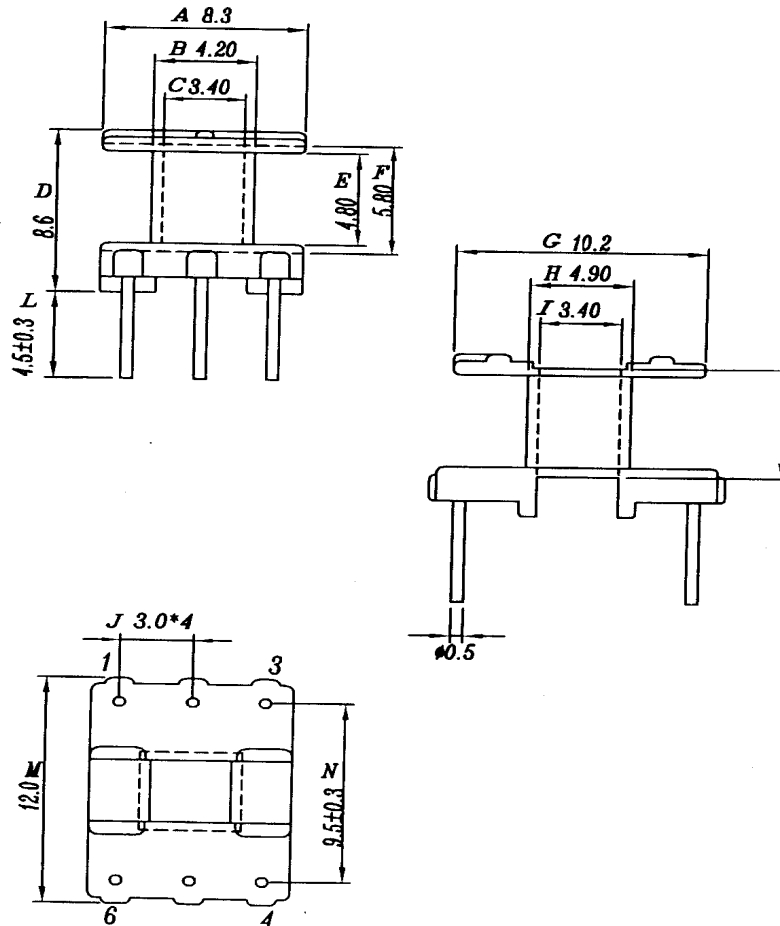
# Series4 Data Sheet



Visit us on the WEB [www.series4.co.uk](http://www.series4.co.uk)

Westwood Court, Calmore Industrial Estate, Totton, Hampshire, SO40 3WX England

Tel: +44 (0)23 80 866377 Fax: +44 (0)23 80 866323 Email: [paul.m@series4.co.uk](mailto:paul.m@series4.co.uk)



**BOBBIN NAME: EE-10-3.4**

**Series 4 Part No: BCEE10-V-1-6**

**OLD REF: S112**

**SPECIFICATION: 1 SECTION 6 PIN**

**BOBBIN MATERIAL: PHENOLIC RESIN**

**PIN MATERIAL: CP WIRE (TIN PLATED)**

**UL RATING: 94V-0**

**UNIT: MM**

**TOLERANCE:**

**.X +/-0.2MM**

**.XX +/-0.1**

**.XXX +/-0.08**