



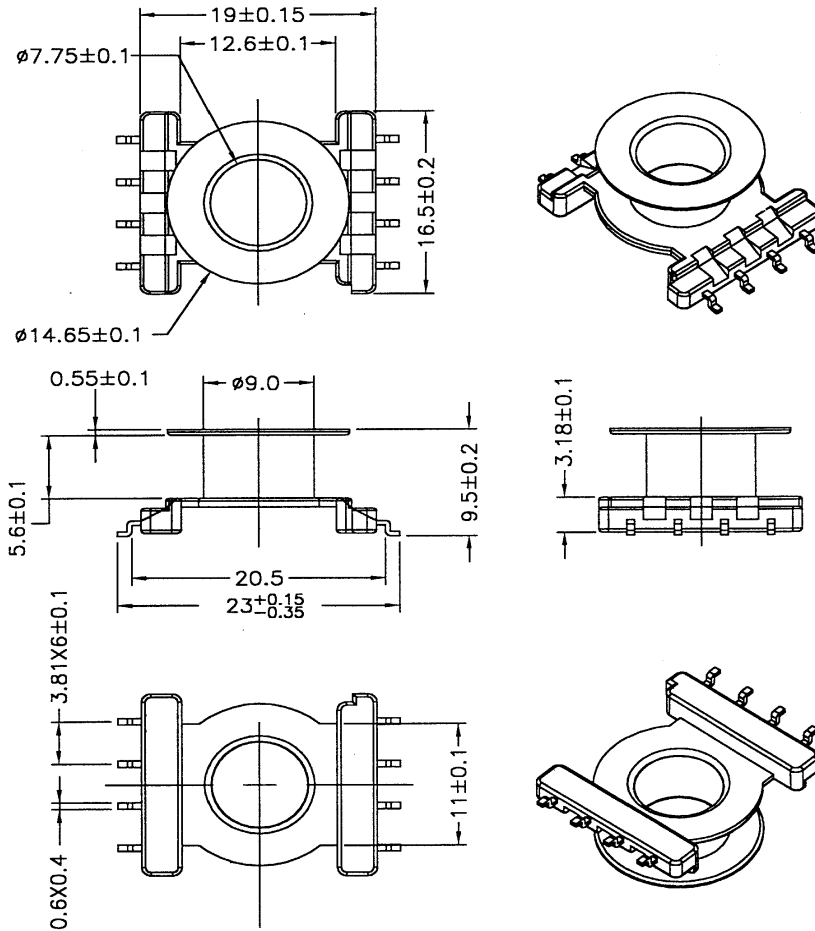
Series4 Data Sheet



Visit us on the WEB www.series4.co.uk

Westwood Court, Calmore Industrial Estate, Totton, Hampshire, SO40 3WX England

Tel: +44 (0)23 80 866377 Fax: +44 (0)23 80 866323 Email: paul.m@series4.co.uk



BOBBIN NAME: CUT 18 X 11

Series 4 Part No: BCCUT18-V-1-8GW

OLD REF: S215

**SPECIFICATION: 1 SECTION 8 PINS GULLWING SMD
ALL PINS MATERIAL PHOSPHOR BRONZE**

MODEL	BOBBIN MATERIAL	PIN PLATING
S215A	PM-9630	Au
S215B	PM-9630	Sn/Pb
S215C	AM-113	Au
S215D	AM-113	Sn/Pb

TOLERANCE:

.X +/- 0.1

.XX +/- 0.05

UL RATING: 94V-0

UNIT: MM