

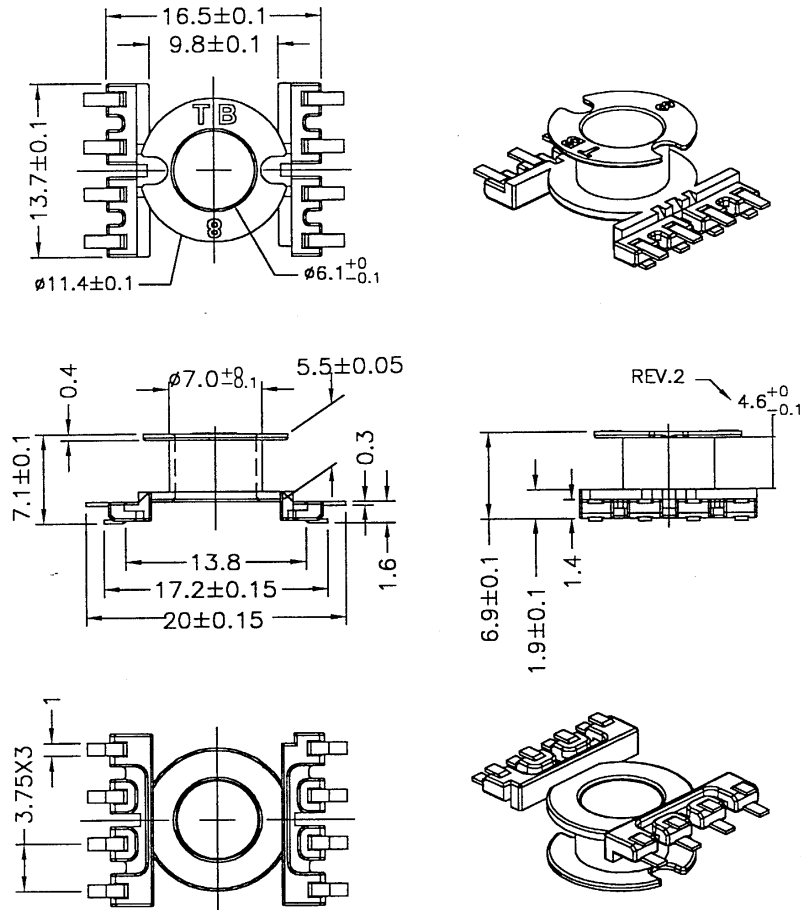


Series4 Data Sheet



Visit us on the WEB www.series4.co.uk

Westwood Court, Calmore Industrial Estate, Totton, Hampshire, SO40 3WX England
Tel: +44 (0)23 80 866377 Fax: +44 (0)23 80 866323 Email: paul.m@series4.co.uk



BOBBIN NAME: CUT 14 X 8

Series 4 Part No: BCCUT14-V-1-8J OLD REF: S214

SPECIFICATION: 1 SECTION 8 PINS J TYPE SMD

(PIN MATERIAL C5191 P.B.)

BOBBIN MATERIAL: LCP E4008

PIN PLATING: Sn/Pb

TOLERANCE:

.X +/- 0.1

.XX +/- 0.05

UL RATING: 94V-0

UNIT: MM